



# Engineered for Performance

Precast Trench Drains

POLYPROPYLENE

SERIES  
SW9000

SERIES  
SW8000

SERIES  
CL5500

FIRST TIME  
INDIA



WASTE  
TO RESOURCE



**25 Years of**

## **Innovating the Future with Advanced Technopolymers**

**Bindal Technopolymer Private Limited (BTPL) is the home of injection moulding expertise, specialising in tooling, precision plastic injection mouldings and product development engineering.**

Since 1986, innovation and high-quality standards have been at the heart of what we do, allowing our family-owned business to gain knowledge and experience from around the globe.



## **Plastic Injection Molding Company in India**

Renowned as a blue-chip plastic component manufacturer India, Bindal Technopolymer Private Limited (BTPL) is a cutting-edge production unit with an outstanding reputation. Equipped with a futuristic manufacturing infrastructure, our engineers produce impeccably customized plastic products to meet the requirements of modern living.



### **WHY CHOOSE US**

**Highest Quality of Raw Material**

**Modern Equipments**

**Advance & Efficient Technology**

**Finest & Skilled Engineers**

**25 years Industry leadership**

**In time Commitment**

**Consistency & Quality**

**Zero Defect Policy**

## **Molding Meets Technology**

Bindal Technopolymer Private Limited focuses on rapid prototyping and fabricating plastic parts for OEMs and ODMs. Our customized products are precisely designed to retain exceptional precision, tolerance, and material consistency. As a notable tool manufacturing company in India, we ensure the implementation of state-of-the-art equipment accompanied by the highest standard of raw materials.

With a complete in-house production infrastructure including the finest engineers in the industry, we, as eminent plastic injection mold manufacturers in Noida are capable of producing a wide array of plastic components for commercial and residential purposes. At BTPL, we possess energy-efficient hydraulic presses and robotic arms for faster production, increased efficiency, and ruling out flaws.

# 6" Wide Drain Flo

## SERIES SW9000

Trench Drains with  
Extra Heavy Duty Frame  
System



## INNOVATIVE DRAINAGE SOLUTION

The 6" Wide Precast Trench Drain system is designed for superior drainage performance in the most demanding environments.

Engineered with a robust polypropylene construction and an extra heavy-duty frame, this trench drain system is ideal for applications that require maximum load-bearing capacity and durability.

### APPLICATION INDUSTRIES

Industrial Sites , Commercial Buildings , Airports  
Hospitals , Fire and Police Stations , Greenhouses

## FEATURES

The 6-inch wide trench drain provides ample capacity for high flow rates, making it suitable for areas prone to heavy rainfall or water accumulation.

### Durable Polypropylene Construction:

Made from high-quality polypropylene, this trench drain is lightweight, strong, and resistant to corrosion, chemicals, and UV exposure, ensuring durability with minimal maintenance

### Extra Heavy Duty Frame System:

The integrated frame system supports heavy-duty loads, ideal for high-traffic areas and heavy machinery, ensuring structural integrity.

### High Load-Bearing Capacity:

Exceeding industry standards, the Precast Trench Drain offers safety and reliability for extra heavy-duty applications, including industrial plants and airports.

### Easy Installation:

The modular design allows for quick assembly, streamlining installation and reducing labor costs. This ensures seamless integration into a variety of projects.

### Built-in Slope and Radiused Bottom:

Comes with a built-in slope of 0.6% and a radiused bottom to promote efficient water flow, reducing sediment buildup and enhancing drainage performance.

### Environmentally Friendly:

Constructed from recyclable materials, this trench drain offers an eco-friendly solution. Its design supports sustainable building practices and meets modern environmental standards.

### Measurements & Dimensions

Cover Width  
315.0mm

Total length  
1000.0mm

Cover Height  
20.0mm

Inner Width  
314.0mm

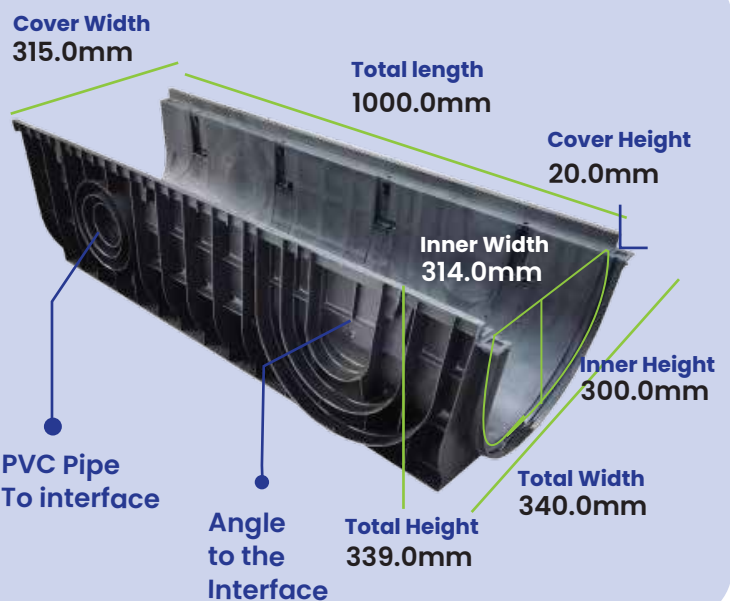
Inner Height  
300.0mm

PVC Pipe  
To interface

Angle  
to the  
Interface

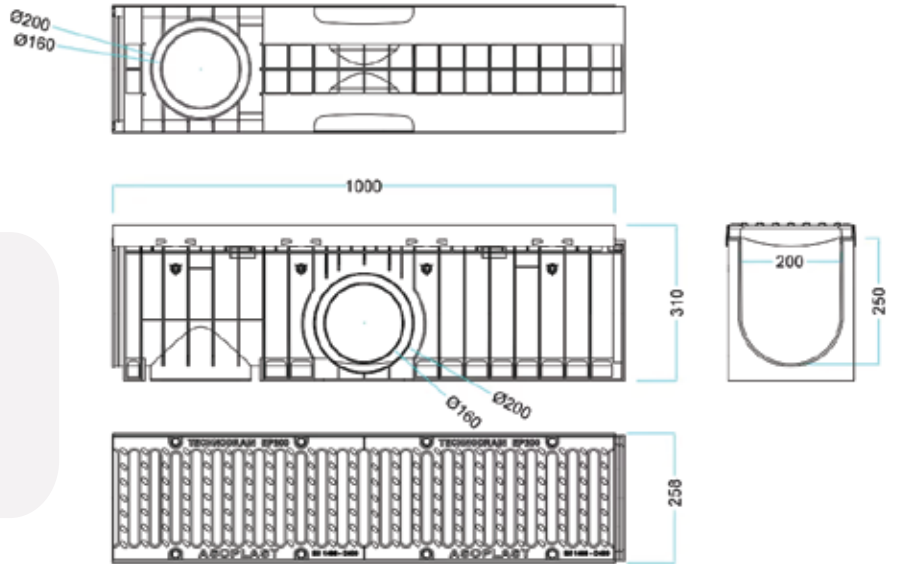
Total Height  
339.0mm

Total Width  
340.0mm

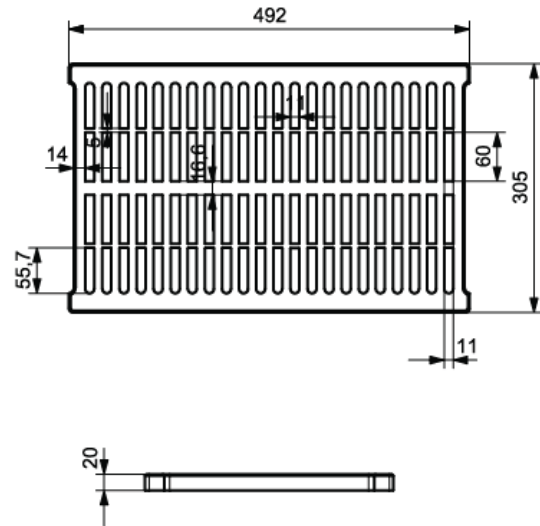


# TECHNICAL SPECIFICATION

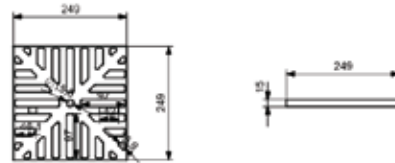
**Precast Trench Drain**



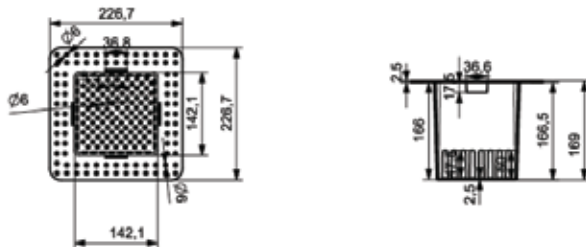
**Trench Drain Gate**



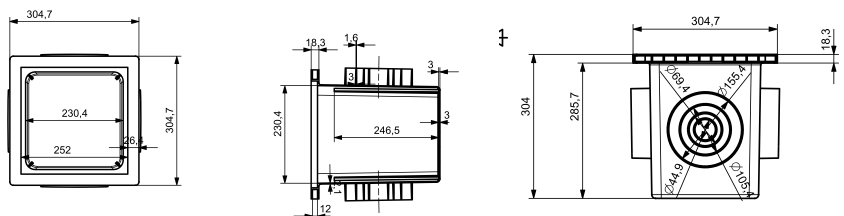
**Trench Catch Basin Cover**



**Trench Catch Basin Mesh**



**Trench Catch Basin Body**



# STEP BY STEP INSTALLATION GUIDE

01 STEP



02 STEP



03 STEP



04 STEP



05 STEP



06 STEP



07 STEP



08 STEP



09 STEP



10 STEP



11 STEP



12 STEP



# Trench Drain

## (DTC300)

The Precast Trench Drain by Bindal Polymer is engineered for high-performance drainage in demanding environments. Made from durable, corrosion-resistant materials, it is designed to withstand heavy loads and intense traffic while ensuring efficient water management. This trench drain system offers a robust and eco-friendly solution, ideal for industrial, commercial, and infrastructure applications

### Product Specification

<b>Material</b>	high-quality polypropylene
<b>Slope</b>	slope of 0.7%
<b>Dimensions</b>	300 mm long
<b>Flow Capacity</b>	flow rate of 1864 Ltr/min.
<b>Load Capacity</b>	



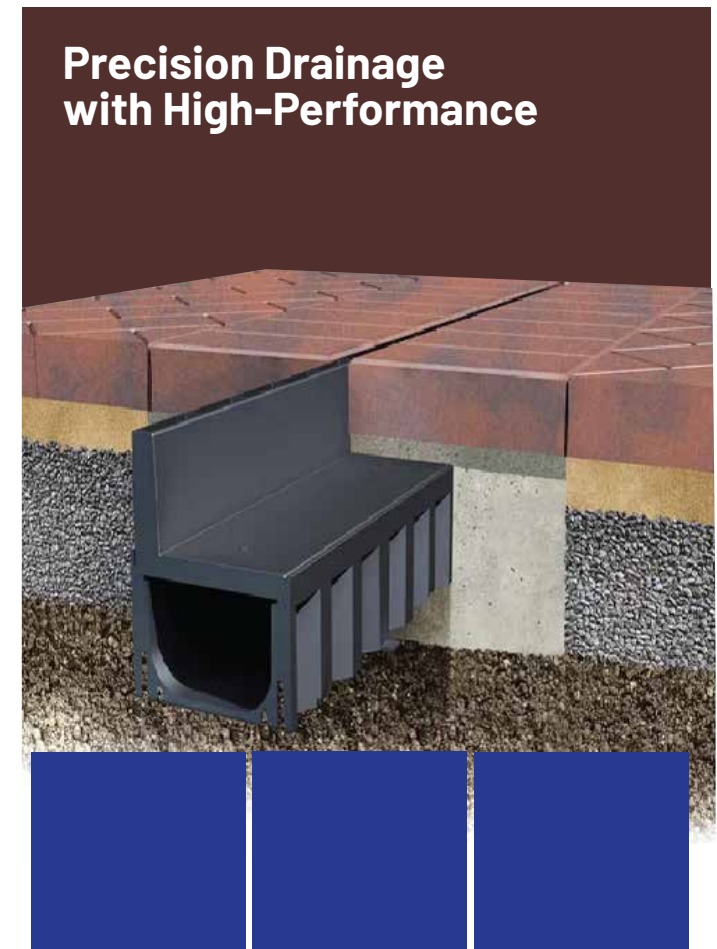
# Slot Drain

## (SDT150)

The Precast Trench Drain by Bindal Polymer is engineered for high-performance drainage in demanding environments. Made from durable, corrosion-resistant materials, it is designed to withstand heavy loads and intense traffic while ensuring efficient water management. This trench drain system offers a robust and eco-friendly solution, ideal for industrial, commercial, and infrastructure applications

### Product Specification

<b>Material</b>	high-quality polypropylene
<b>Slope</b>	slope of 0.7%
<b>Dimensions</b>	300 mm long
<b>Flow Capacity</b>	flow rate of 1864 Ltr/min.
<b>Load Capacity</b>	



# APPLICATION & USAGE INDUSTRY DOMAINS

Precast polymer trench drains are essential components in modern infrastructure, offering efficient water management solutions for various applications. Designed for durability, ease of installation, and superior performance, these drains are made from advanced polymer concrete, ensuring long-lasting resistance against chemicals, weather, and heavy loads.



## Commercial & Industrial Areas

Precast polymer trench drains are ideal for use in commercial spaces, industrial zones, warehouses, and factories where water runoff needs to be managed efficiently. These drains provide rapid water evacuation, preventing water stagnation, and protecting equipment and structures.



## Sports Facilities

In sports arenas and stadiums, precast polymer trench drains ensure proper water drainage, keeping the playing fields and spectator areas free from waterlogging. This prevents potential hazards and maintains the integrity of the surfaces.

## Parking Lots & Driveways

Heavy traffic areas such as parking lots, driveways, and garages benefit from precast polymer trench drains. The high load-bearing capacity and resistance to cracking make them an optimal choice for these spaces, ensuring longevity even with constant vehicular movement.



## Roadways & Highways

Roadways and highways, polymer trench drains efficiently manage stormwater runoff, reducing flooding and erosion. The polymer material ensures these drains can withstand high traffic loads, chemical spills, and environmental changes, providing a long-lasting solution.

## Public Spaces

Parks, plazas, and urban landscapes often experience heavy pedestrian foot traffic and need reliable drainage solutions. Precast polymer trench drains ensure proper water management, preserving the aesthetic appeal and functionality of these spaces.

## Residential Complexes

In residential communities, effective stormwater management is critical to prevent flooding, soil erosion, and water damage. Precast polymer trench drains offer a robust solution for driveways, walkways, and garden areas, promoting safety and comfort for residents.

